

Corvus E band MMIC

CO-E1340318

Balanced GaAs Diode Ring MMIC Mixer, 76-81 GHz

Overview

CO-E1340318 is a balanced GaAs MMIC diode ring mixer designed for operation in either upconverter or downconverter modes for increased LO and RF isolation. CO-E1340318 is fabricated using GaAs Schottky diode technology and is designed for output frequencies in the range from 76GHz to 81GHz using a fixed LO (76GHz) and varying IF (DC–5GHz). The circuit typically supplies flat conversion losses of 8.5dB at an LO power level of 12dBm.

The underside of the die is gold plated. The CO-E1340318 MMIC is compatible with precision die attach methods, as well as thermo-compression and thermosonic wire bonding, making it ideal for MCM and hybrid microcircuit applications. All data shown herein is measured with the chip in a 50 Ohm environment and contacted with RF probes, with results calibrated to the probe tips.

Features

- 76 - 81 GHz RF
- DC – 5 GHz IF
- 8.5 dB Conversion Loss
- 12 dBm LO Drive

Applications

- Millimetre-wave Imaging
- High Resolution Radar
- Sensing
- P2P Communications; short haul / high capacity / low interference links
- Medical
- Automotive



No licence is granted under any patent or any patent rights of Arralis. Information furnished by Arralis is believed to be accurate. No responsibility is assumed by Arralis for its use, nor for any infringements on the rights of other parties that may result for the use of the information herein. All specifications are subject to change without notice.



Specification Overview

(based on tests where LO = 76GHz, +12dBm)

Parameter	Min.	Typ.	Max.	Units
Frequency	76		81	GHz
LO Frequency		76		GHz
LO Power	7		12	dBm
IF Frequency	0		5	GHz
Conversion Loss	8	8.5	9	dB

Notes

All tests are carried out at 25°C.

Absolute Maximum Ratings

Parameter	Rating
LO Power	25 dBm
IF / RF Power	22 dBm
Storage Temperature	-65°C to +175°C
Channel Temperature	+175°C
Operating Temperature	-40°C to +85°C



ESD (electrostatic discharge) sensitive device. Charged devices and circuit boards can discharge without detection. Although this product features proprietary protection circuitry, damage may occur on devices subjected to ESD. Proper ESD precautions should be taken to avoid performance degradation or loss of functionality.



Measured Performance Data

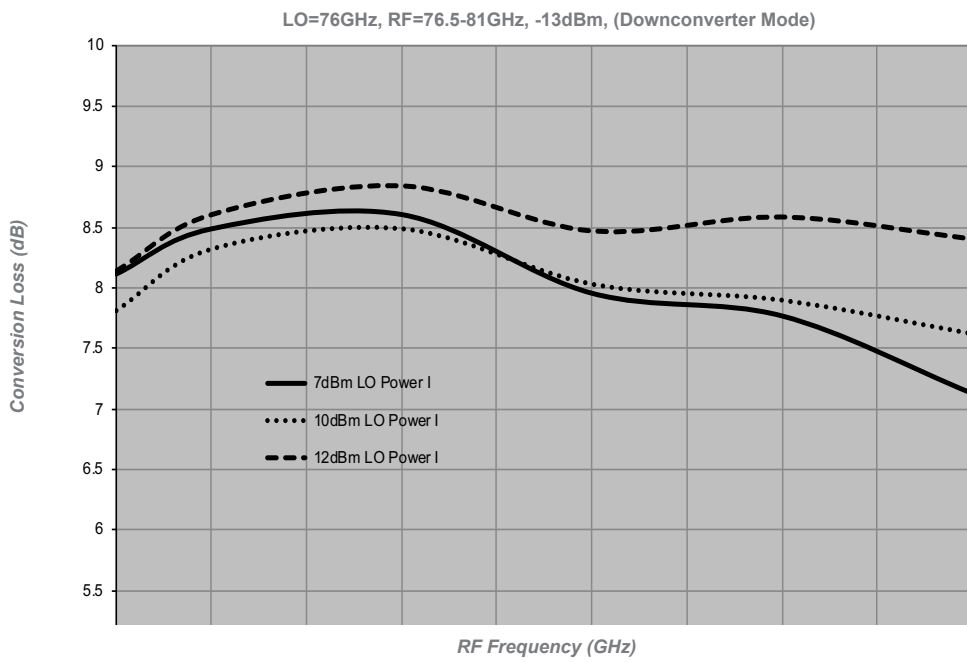


Figure 1
CO-E1340318
Conversion Loss v RF Frequency

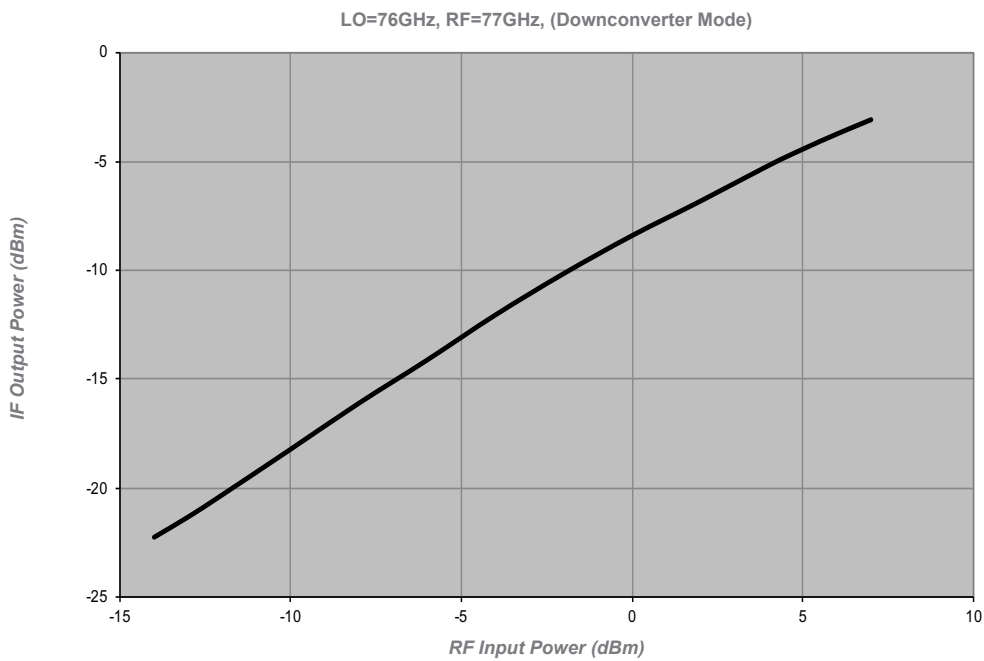
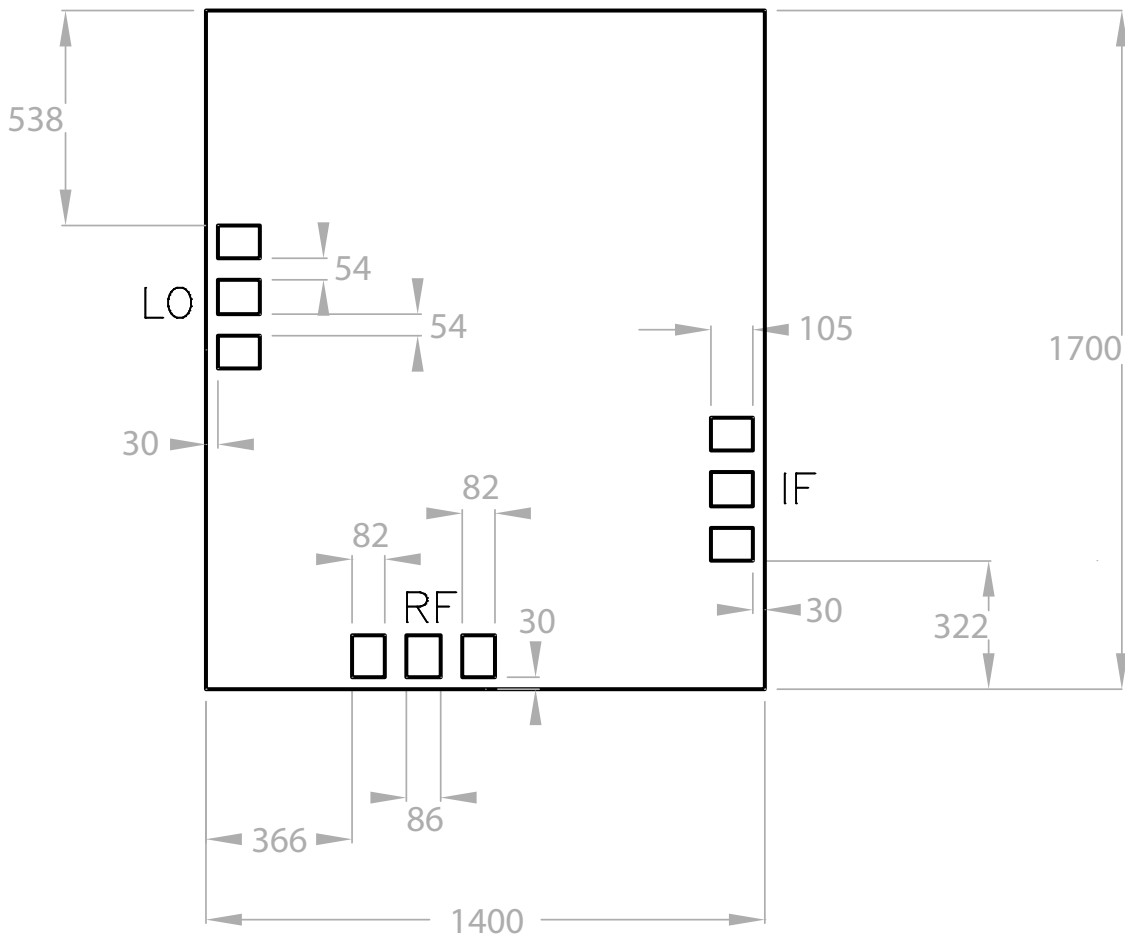


Figure 2
CO-E1340318
Pin v Pout



Outline Drawing

Die Packing Information
All die are delivered using gel-paks
unless otherwise requested.



Notes

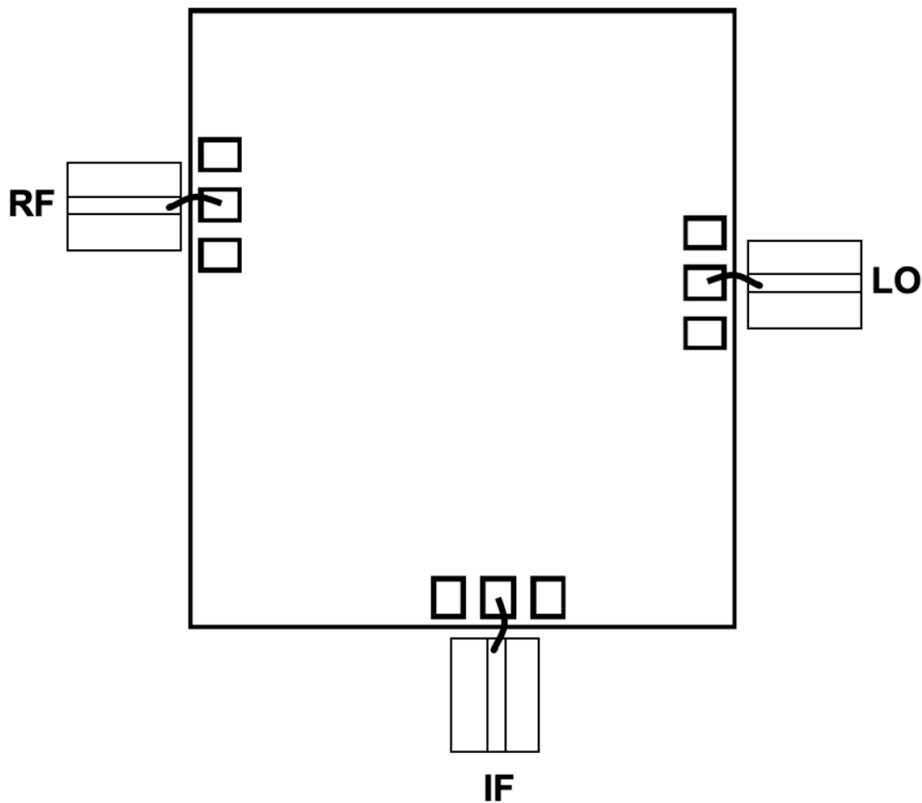
1. ALL DIMENSIONS ARE IN UM.
2. RF BOND PADS ARE 105 x 86UM.
3. GOLD BACKSIDE METALISATION.
4. BACKSIDE METAL IS GROUND.
5. DIE THICKNESS IS 70UM



Pad Descriptions

Name	Description
LO	LO pad. This pad is dc coupled.
RF	RF pad. This pad is dc coupled.
IF	IF pad. This pad is dc coupled.
BOTTOM	The die backside must be connected to RF/dc ground.

Connection Configurations



General Notes on Assembly

Die should be mounted on conductive material such as gold-plated metal to provide a good ground and suitable heat sink, if necessary.

1. Attaching the die using Au/Sn preforms is preferable. The Eutectic melt for Au/Sn occurs at approximately 280°C so the die (plus mount and preform) is initially heated up to 180°C and then it is heated for approximately 10 seconds to 280°C using a nitrogen heat gun. The device will survive 10 seconds at this temperature. The static breakdown for GaAs devices is approximately 330°C.
2. Pure, dry Nitrogen should be used as the heat source.
3. If the devices cannot be lifted/ placed by a vacuum device, then ESD die-lifting tweezers are preferable.
4. Supply lines should be decoupled with 100pF capacitors. Larger planar capacitors could be used if available.
5. Aluminium wire must not be used.



Arralis, Tierney Building UL, Castletroy, Limerick V94NYD3, Ireland (IRL). Tel: +353 61 748 264

**Arralis, ECIT, Northern Ireland Science Park, Queen's Road, Queen's Island, Belfast BT3 9DT,
United Kingdom (UK). Tel: +44 28 9045 4021**

Email: info@arralis.com Web: www.arralis.com

